



2021 MASERATI 8.4", 10.1" SP29GCM

1. SP29GCM

MAIN UNIT OF INTERFACE



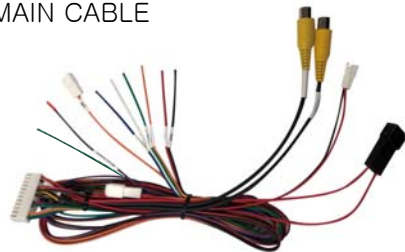
Car Brand	Model	Year Range	System
MASERATI	SP29GCM	2021	8.4"
			10.1"

COMPONENTS

1 MAIN UNIT



2 MAIN CABLE



3 RGB CABLE



4 IR CABLE



5 REMOTE CONTROL



6 TOUCH CABLE



7 4PIN FILM



8 LVDS EXTENSION



9 LVDS OUT CABLE



10 AV GENDER BOARD



※ OPTION ※

11 AV IN/OUT CABLE



※ OPTION ※

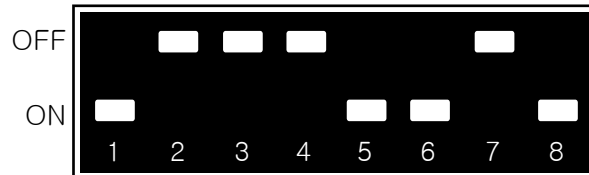
12 AV GENDER CABLE



※ OPTION ※

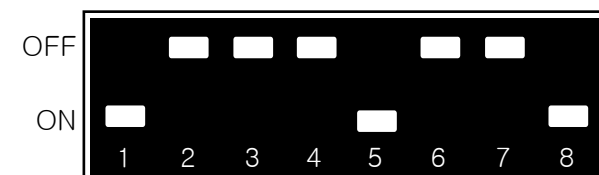
MASERATI 8.4"/10.1"

MASERATI 8.4"



8.4" LEVANTE

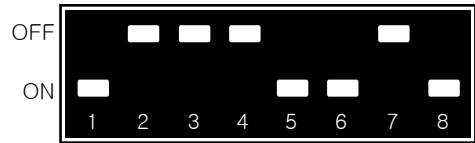
MASERATI 10.1"



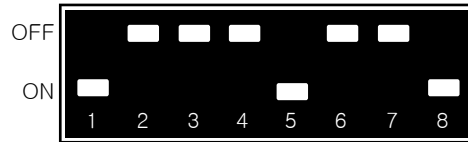
10.1" Ghibli

DIP S/W

OFF : ↑ (UP) / ON : ↓ (DOWN)



8.4" LEVANTE



10.1" GHIBLI

PIN	FUNCTION	DIP S/W SETTING
1	GPS INPUT MUTE	OFF : DO NOT USE NAVI ON : USE NAVI
2		NC
3		NC
4	REAR CAMERA	OFF : OEM CAMERA ON : AFTERMARKET CAMERA
5		VEHICLE SETTING
6		VEHICLE SETTING
7		NC
8		ON

SP29GCM SPEC

1. INPUT SPEC

- 1 x Analog RGB Input(GPS system output)
- 1 x LVDS Input
- 1 x LVDS output
- 1 x CVBS(rear camera)
- 1 x CVBS(front camera or A/V)
- 3 x A/V Input(Option)

2. OUTPUT SPEC

- 1 x CVBS
- 1 x Audio L/R

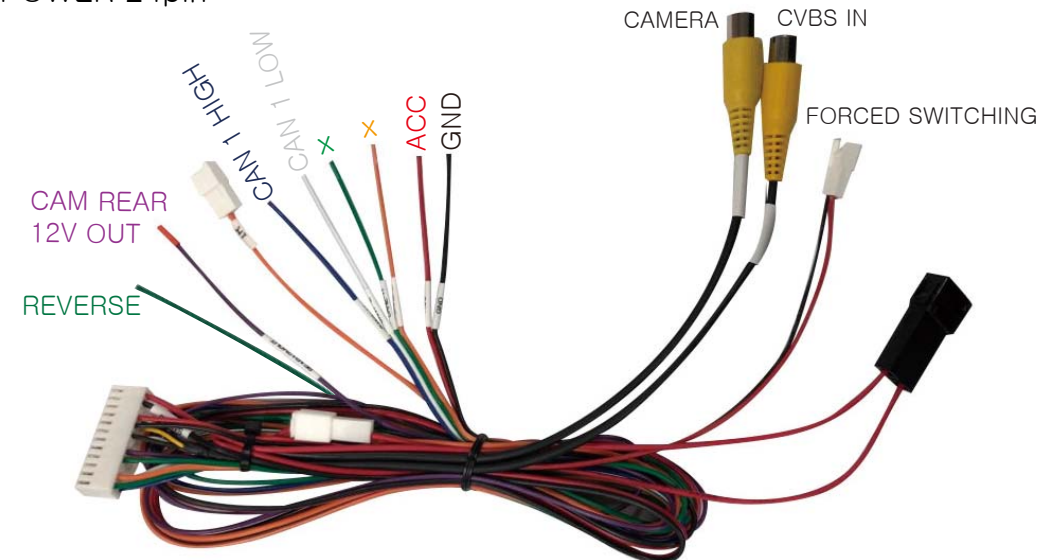
3. POWER SPEC

- Input power : 8VDC ~ 24VDC
- Consumption : 5WATT

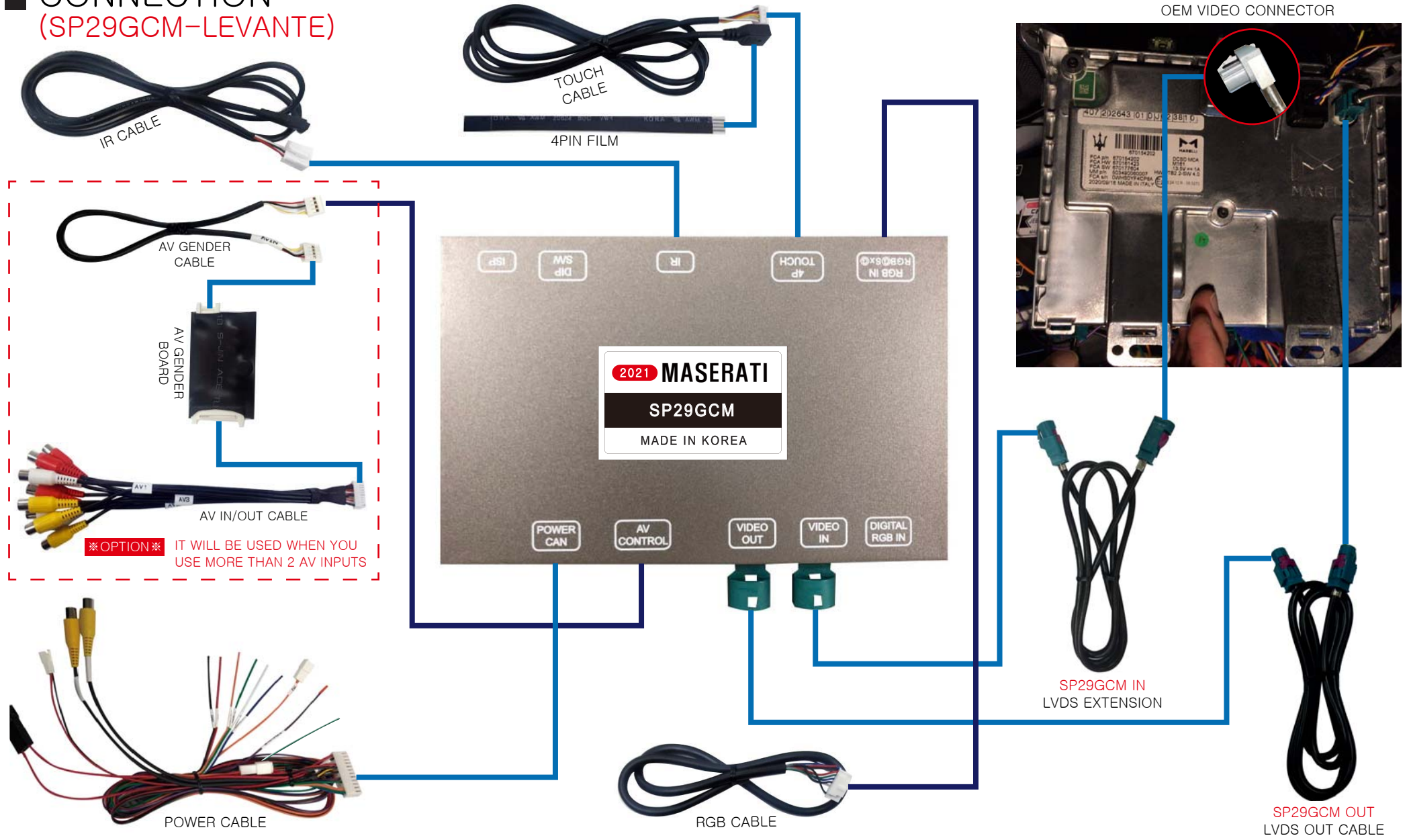
4. SIZE

- 154*98*20mm(Width*Length*Height)

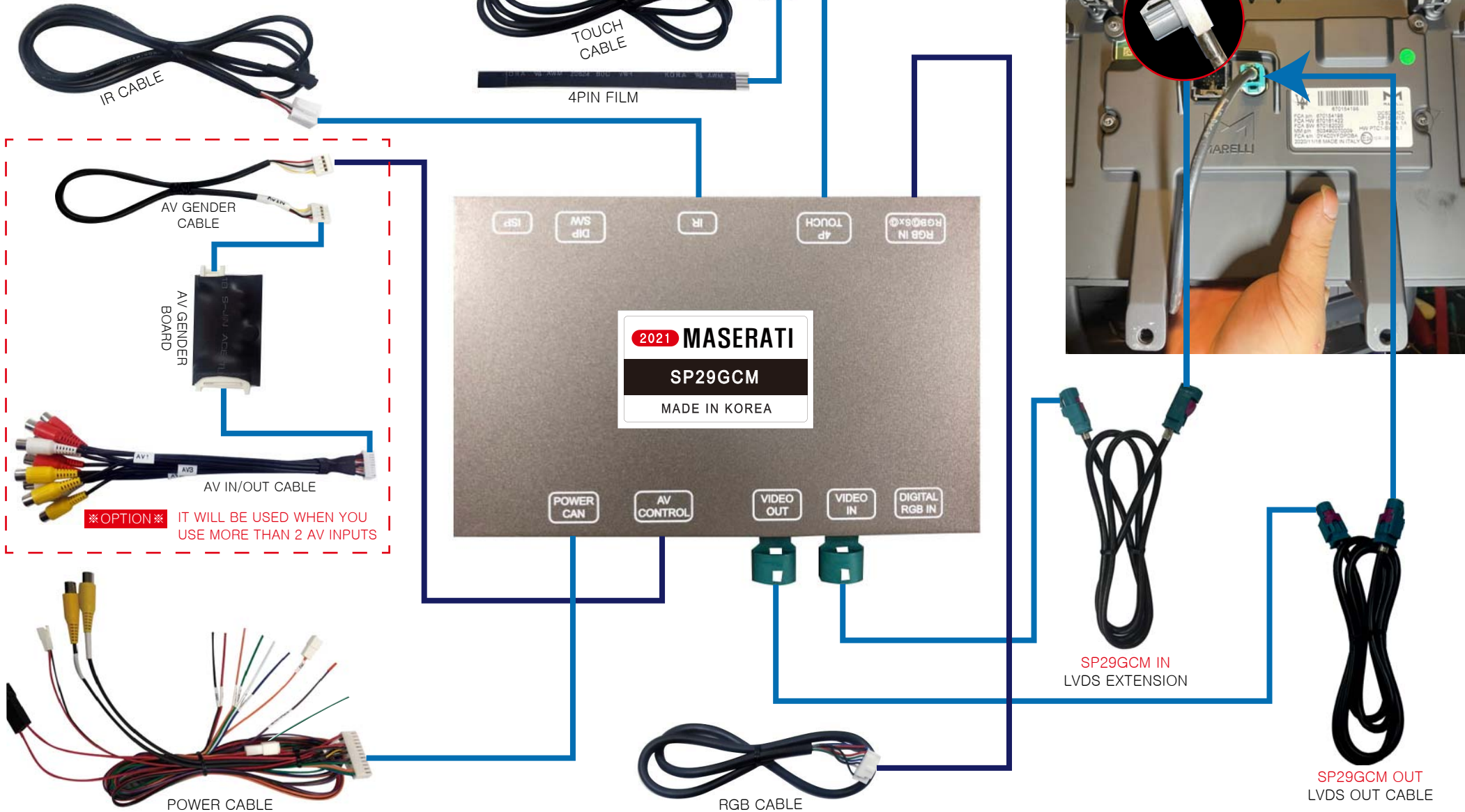
5. POWER 24pin



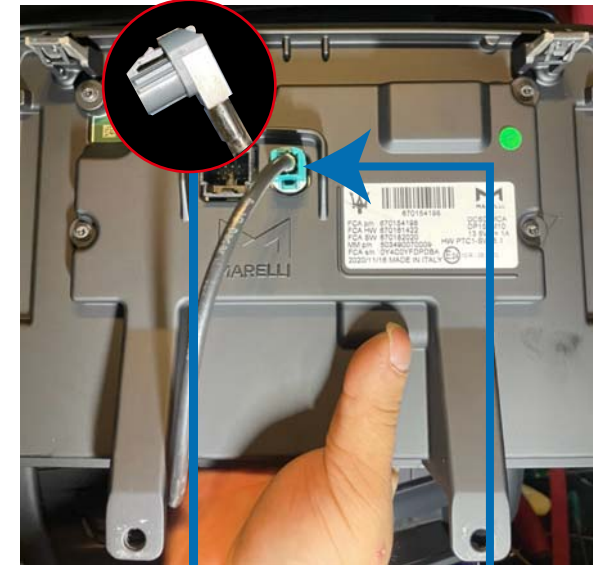
CONNECTION (SP29GCM-LEVANTE)



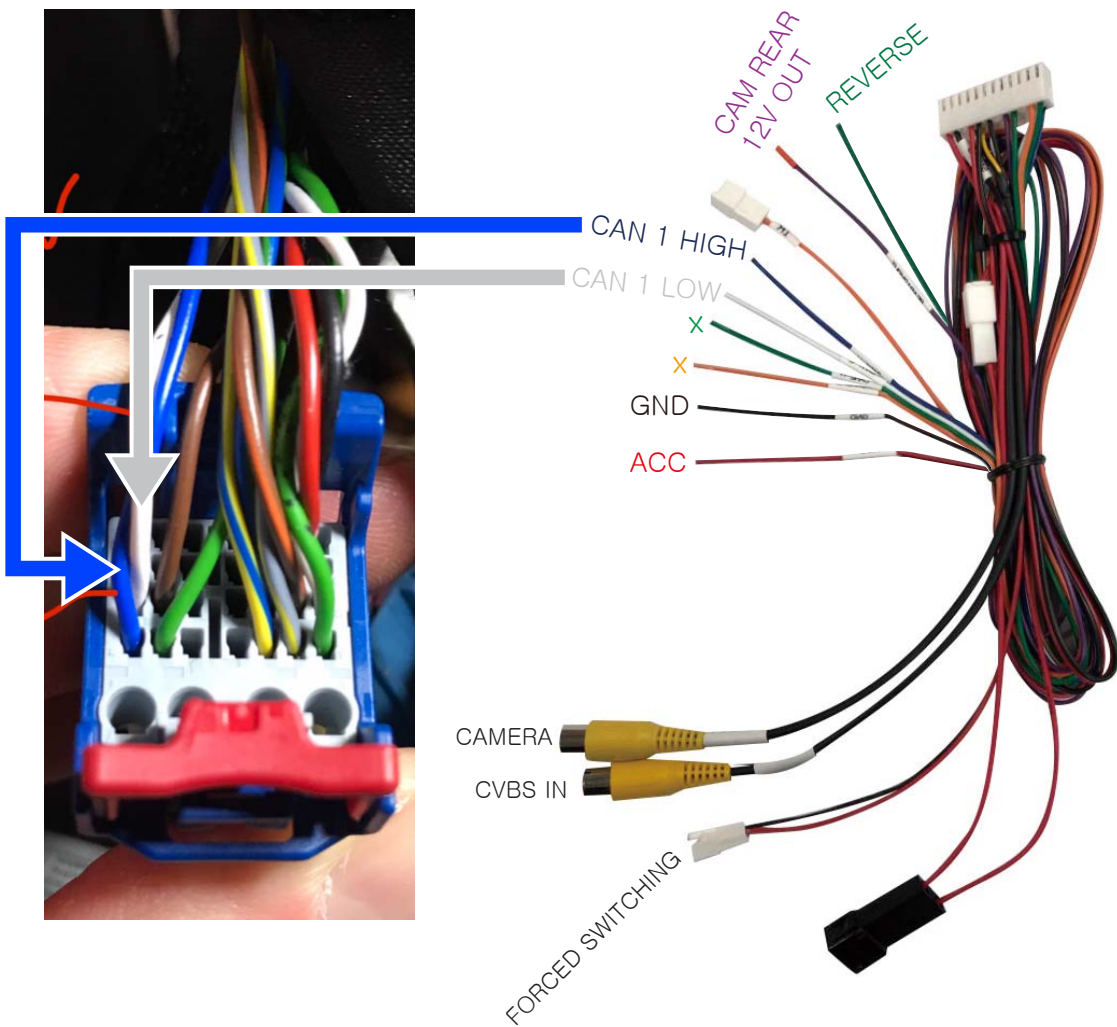
CONNECTION (SP29GCM-GHIBLI)



OEM VIDEO CONNECTOR

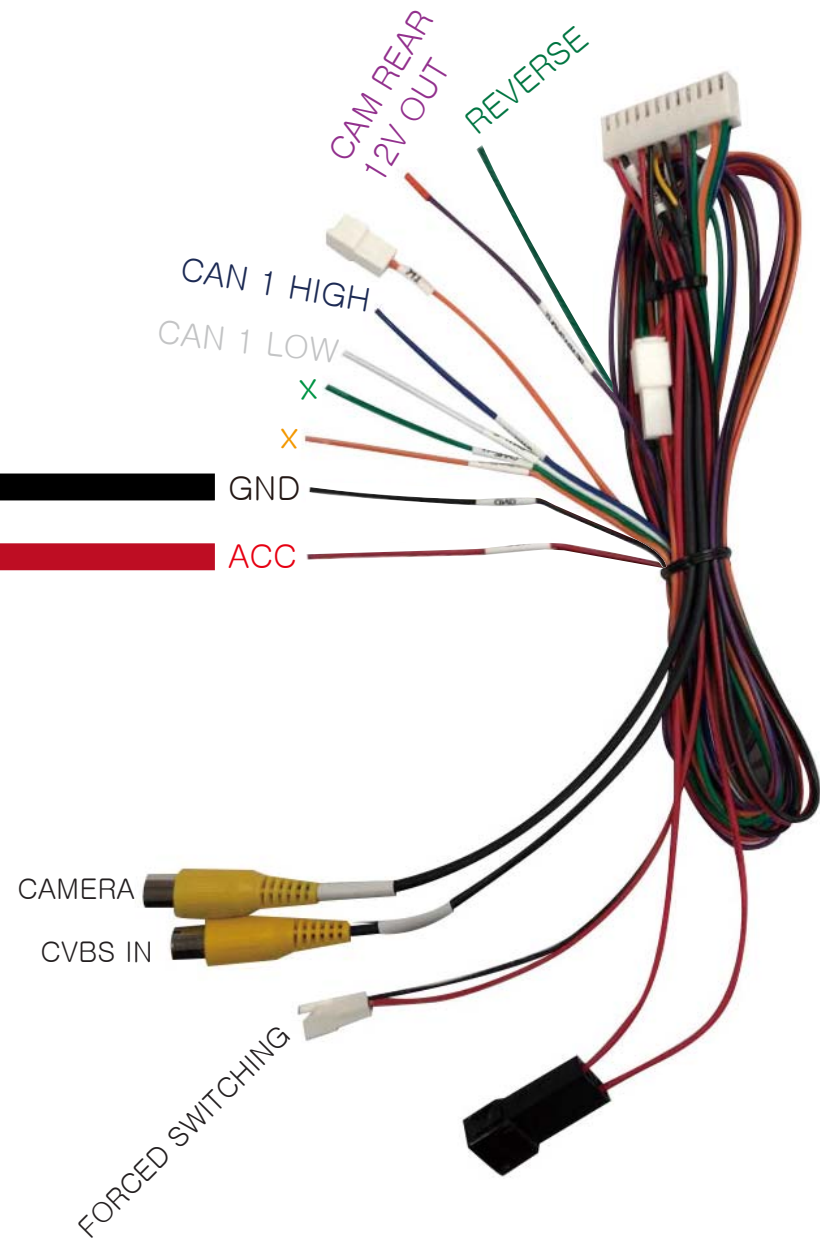
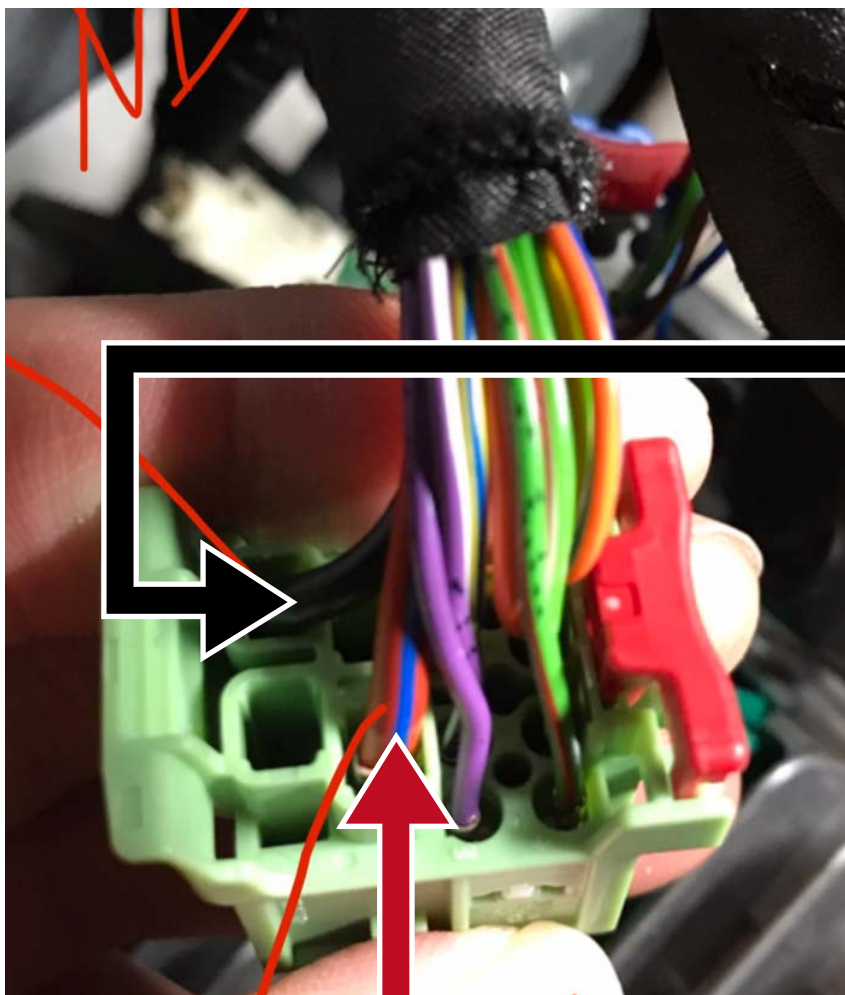


CAN INSTALLATION



5	V	0.35	Aux In Right Sgn	
6	HG	0.35	Microphone 2 SGN	
7	GL	0.35	Microphone SGN	
10	V	0.35	C CAN H RADIO #1	
11	L	0.35	B CAN H RADIO #1	← CAN Hi 藍色
12	B	0.35	Aux In Left Sgn	
13	MC	0.35	Microphone 2 GND	
14	LV	0.35	Microphone GND	
17	M	0.35	C CAN L RADIO #1	
18	B	0.35	B CAN L RADIO #1	← CAN Lo 白色
20	R	0.35	Aux In Auto Detect	
21	N	0.35	Aux In Reference	
22	H	0.35	DTV Audio R	
25	B	0.35	DTV CVBS Out Plus	
28	HN	0.35	DTV Audio Reference	
29	G	0.35	DTV Audio L	
31	X	0.35	DTV CVBS Out Shield	
32	V	0.35	DTV CVBS Out Minus	

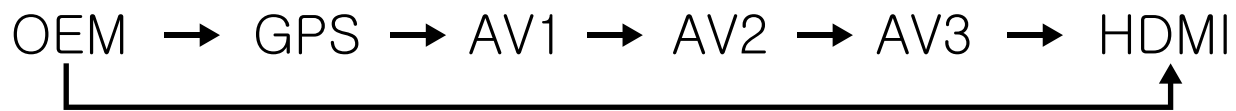
GND/ACC INSTALLATION



MODE SWITCH



HOLD  BUTTON 2S TO SWITCH SCREEN.



HOW TO CONNECT VIDEO AUDIO WHEN YOU ONLY USE ONE AV INPUT

